

# **ADi** SPECIFICATION SHEET

## **J924-A Series Communication Panel**



### **Description**

The J924-A series communication panels are heavy duty desktop communication interface panels. These compact steel control panels provide a desktop interface to an intercom and/or paging system. Mounted on the face of the J924-A series unit is a speaker with volume control, microphone and push-to-talk button.

### **Features**

- Volume control knob
- Push-to-talk pushbutton
- Speaker
- Astatic dynamic microphone

### **Electrical**

- All devices wired to terminals

### **Mechanical**

- Steel desktop turret with a black powder coated finish
- Weight: 3 Lbs.

**Automation Displays, Inc.**

3533 N. White Avenue, Eau Claire, WI 54703

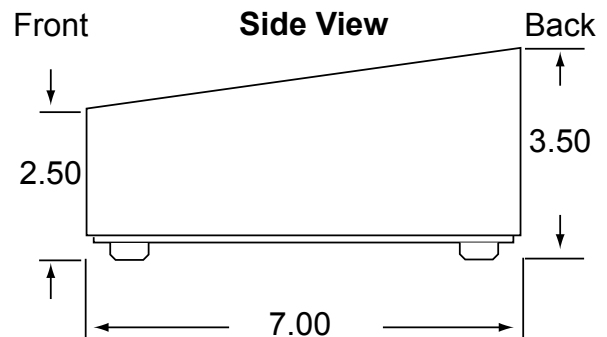
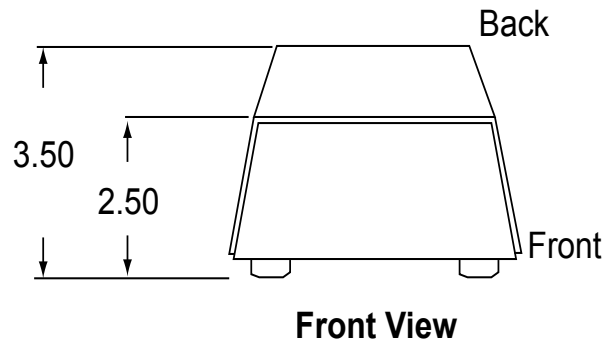
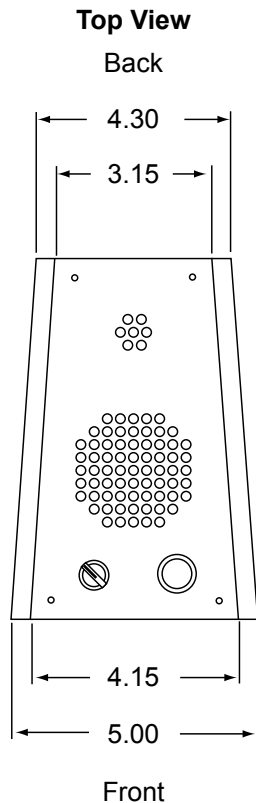
Telephone:(715) 834-9595 Fax:(715) 834-9596 [www.adipanel.com](http://www.adipanel.com) email:[adi@adipanel.com](mailto:adi@adipanel.com)

# AD **SPECIFICATION SHEET**

Listed below are the available units in this series of intercom panels

Part Number	8 Ohm Speaker	8 Ohm Matching Transformer	45 Ohm Speaker	45 Ohm Matching Transformer
AFD-J924A	X			
AFD-J924B	X	X		
AFD-J924C			X	
AFD-J924D			X	X

Note: 5K volume potentiometer is standard, other values are available.



**Automation Displays, Inc.**

3533 N. White Avenue, Eau Claire, WI 54703

Telephone:(715) 834-9595 Fax:(715) 834-9596 www.adipanel.com email:adi@adipanel.com