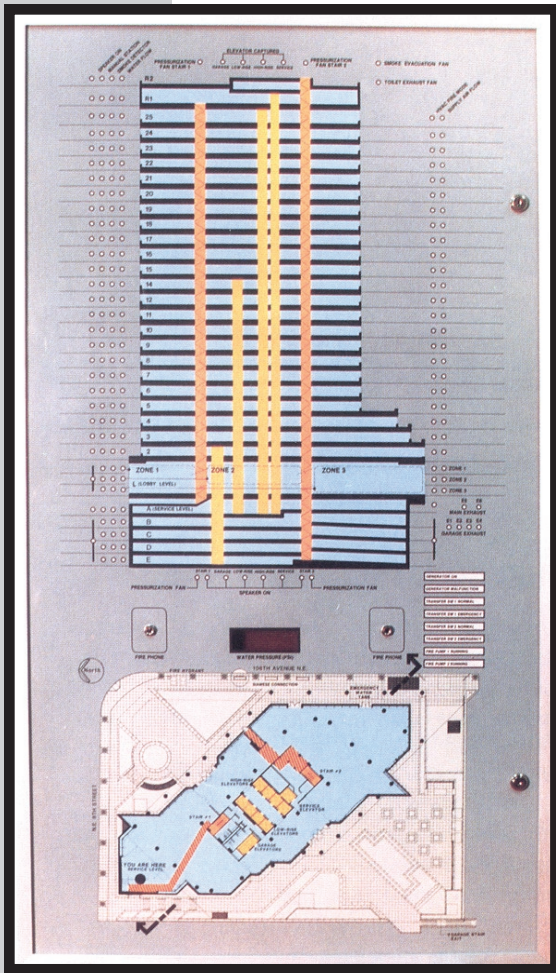


# ADI SPECIFICATION SHEET

## FIRE ALARM GRAPHIC ANNUNCIATOR

UL® Listed Fire Alarm Annunciator



**Automation Displays, Inc.** manufactures UL® Listed custom graphic fire alarm annunciators. The annunciators feature an attractive aluminum frame that is straight lined and clear anodized. The frame surrounds a non-glare polycarbonate lens, which protects a multi-color graphic on 7-mil polyester film. The graphic is illuminated using long-life high-intensity LEDs or incandescent lamps for backlit indication. Other features of these units are key locks, continuous or pantographic hinges, and flush or surface mounted enclosures. Audible alarms and a large selection of pushbutton, toggle and key switches can be incorporated into the graphic to meet the customer's requirements. LED or lamp test, latching, resound, lock in/ lockout and RS232/422 serial interface functions are also available. Since the graphic may be fabricated in almost any size, the enclosure is sized to match the graphic.

In most situations, the graphics can be fabricated to comply with UL® Listing and California State Fire Marshal Listing. An estimated cost for bidding purposes can be prepared using ADI's budgetary price guide. Please contact ADI for more information.

### Standard Features

- Decorative straightlined and clear anodized aluminum frame
- 3/16" non-glare polycarbonate lens
- Multi-color custom graphic on 7-mil polyester film
- Key lock
- Continuous hinge
- Rear illuminated with red, green, yellow, and amber long-life high-intensity LEDs
- Flush mount or surface mount enclosure

**Automation Displays, Inc.**

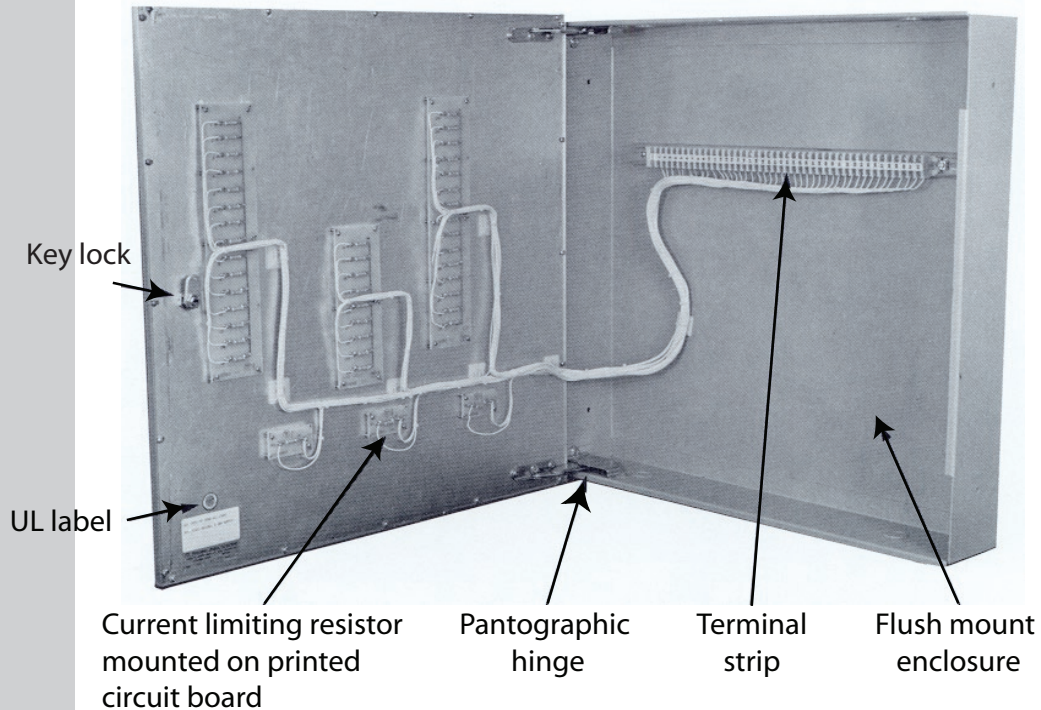
3533 N. White Avenue, Eau Claire, WI 54703

Telephone:(715) 834-9595 Fax:(715) 834-9596 [www.adipanel.com](http://www.adipanel.com) email:[adi@adipanel.com](mailto:adi@adipanel.com)

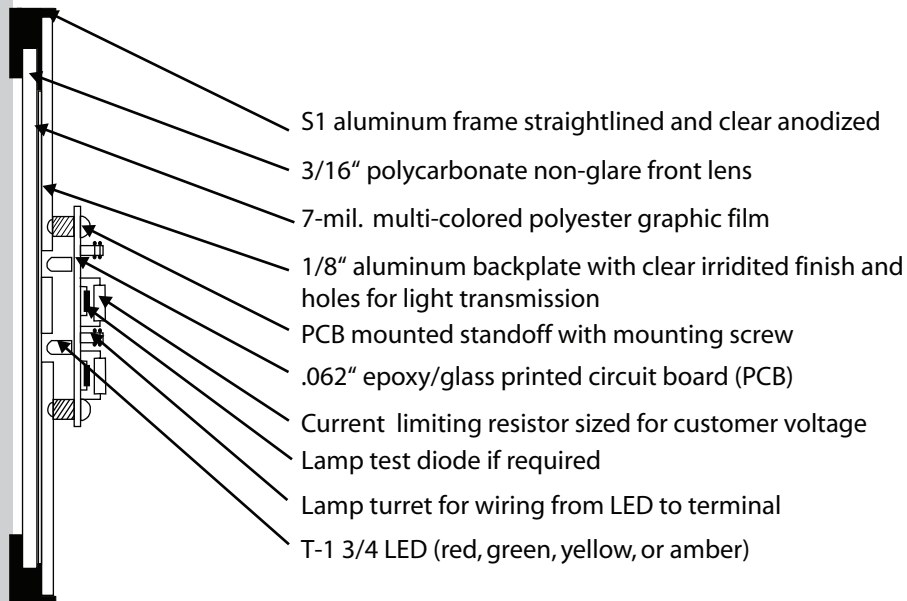
# ADi SPECIFICATION SHEET

## Design Data

### Internal View



### Graphic Construction Detail



**Automation Displays, Inc.**

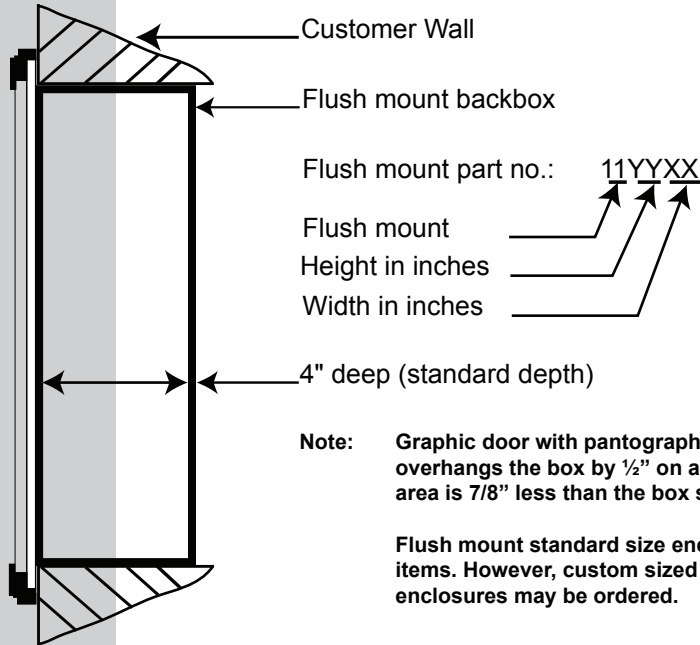
3533 N. White Avenue, Eau Claire, WI 54703

Telephone:(715) 834-9595 Fax:(715) 834-9596 www.adipanel.com email:adi@adipanel.com

# ADi SPECIFICATION SHEET

## Standard Enclosures

### Flush Mount Enclosures

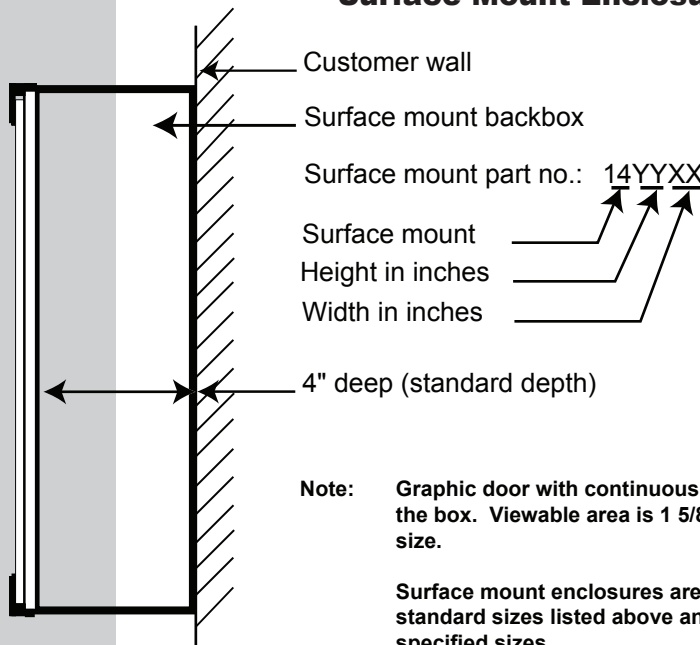


Standard Sizes	
12 x 12	24 x 24
12 x 18	24 x 30
12 x 24	24 x 36
18 x 12	30 x 18
18 x 18	30 x 24
18 x 24	30 x 30
18 x 30	36 x 18
18 x 36	36 x 24
24 x 18	36 x 36

**Note:** Graphic door with pantographic concealed hinge overhangs the box by 1/2" on all sides. The viewable area is 7/8" less than the box size.

Flush mount standard size enclosures are stock items. However, custom sized flush mounted enclosures may be ordered.

### Surface Mount Enclosures



Standard Sizes	
13 x 13	25 x 25
13 x 19	25 x 31
13 x 25	25 x 37
19 x 13	31 x 19
19 x 19	31 x 25
19 x 25	31 x 31
19 x 31	37 x 19
19 x 37	37 x 25
25 x 19	37 x 37

**Note:** Graphic door with continuous hinge fits evenly to the box. Viewable area is 1 5/8" less than the box size.

Surface mount enclosures are available in the standard sizes listed above and in customer specified sizes.

**Automation Displays, Inc.**

3533 N. White Avenue, Eau Claire, WI 54703

Telephone:(715) 834-9595 Fax:(715) 834-9596 www.adipanel.com email:adi@adipanel.com

# SPECIFICATION SHEET

## Options

Automation Displays, Inc. can supply their standard graphic with many of the features listed below or ADI can build a special graphic to meet your needs.

### Electrical Options

- Lamp test function
- Multiple commons
- Latching function
- Lock-in/lock-out function
- Resound function
- RS232/422 serial interface
- Area or zone backlighting
- Mounting and wiring of customer furnished driver assembly
- UL® Listing
- California State Fire Marshal Listing
- 24 VDC standard voltage (other voltages available)
- DC power supply/DC converter

### Mechanical Options

- Rack mount option
- Weatherproof enclosure
- NEMA12 rating
- Wall size graphic
- Stainless steel frame
- Stainless steel enclosure
- Black, red, gold, brass colored
- anodized aluminum frame (additional colors available)
- Custom sized panels and enclosures

### Engineer/Architect Specifications

The graphic annunciator shall have an aluminum frame that is straight lined and clear anodized. The artwork shall be reproduced on 7-mil photographic film and shall be multi-colored. A 3/16" non-glare polycarbonate lens shall protect the artwork. Spot backlit illumination shall be provided by long-life high-intensity LEDs. The LEDs shall be wired to terminals mounted in the flush (or surface) mount enclosure. The graphic shall be hinged and secured with a key lock. The graphic shall be as manufactured by Automation Displays, Inc., Eau Claire, Wisconsin.

**Automation Displays, Inc.**

3533 N. White Avenue, Eau Claire, WI 54703

Telephone:(715) 834-9595 Fax:(715) 834-9596 [www.adipanel.com](http://www.adipanel.com) email:[adi@adipanel.com](mailto:adi@adipanel.com)