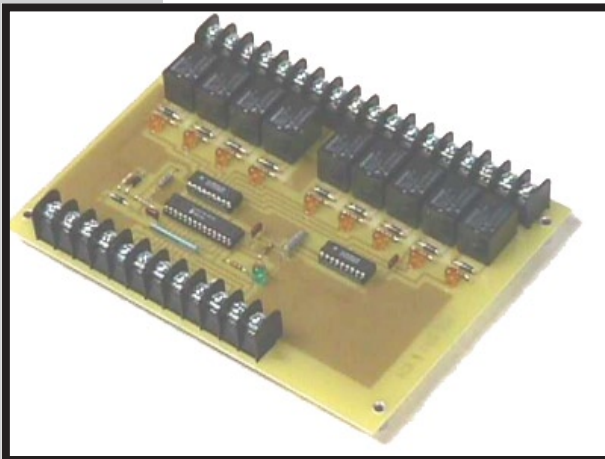


ADI SPECIFICATION SHEET

Alternate Action Relay Card

Part Number: AFD-E912-200

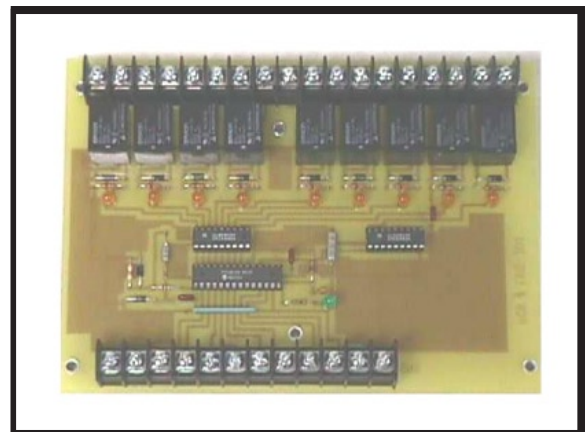


Description

The **Alternate Action Relay Card** is designed to convert lo-true momentary inputs to alternate action maintained outputs. For example: if used to turn a light on and off, push the momentary touch switch once and the alternate action relay card initiates a maintained output, which turns the lights on. Push the momentary touch switch a second time and the alternate action relay card drops the connection, which turns the light off.

Features:

- Microprocessor
- Nine relays
- Nine input terminals
- Eighteen output terminals
- Nine indicator LEDs
- Operates on 5VDC



Automation Displays, Inc.

3533 N. White Avenue, Eau Claire, WI 54703

Telephone:(715) 834-9595 Fax:(715) 834-9596 www.adipanel.com email:adi@adipanel.com